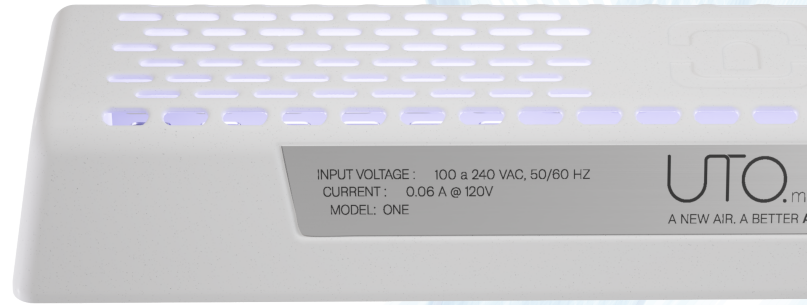




A NEW AIR. A BETTER AIR



## Installation and Operation Guide

**UTO Mini Pro** is an oxidative treatment unit designed to purify indoor air, especially crafted for installation in ductless air systems, mini-splits (wall, ceiling, or cassette), and fan coils.

It utilizes cutting-edge photocatalytic technology that activates a TiO<sub>2</sub> catalyst through broad-spectrum UV radiation. This generates natural oxidants that enable the degradation of volatile organic compounds (VOCs) and the inactivation of microorganisms such as viruses, bacteria, yeasts, and molds, up to **99.99%**.

UTO	Mini One Pro	Mini Two Pro
<b>Capacity</b>	until 24000Btu/2TR	until 60000 Btu/5TR
<b>Power Consumption</b>	16W	22W
<b>Input Voltage</b>	110-220V/50-60Hz	110-220V/50-60Hz
<b>Weight</b>	530 g	545 g
<b>Operating Temperature</b>	0-100 °C	0-100 °C
<b>Operating Relative Humidity</b>	25-95%	25-95%



Active Purification



Notifications



Smart Auto-On



Over 4 Years of Lifespan



WiFi

## Ideal Usage Environments

UTO is designed to operate efficiently in various environments.

- Homes
- Offices
- Commercial spaces
- Medical areas
- Schools and universities



## Benefits



### Energy efficiency

Efficient electrical power ensures optimal performance without significantly increasing energy consumption.



### Wide operating range

Effective in various environmental conditions.



### LED ultraviolet light.

Mercury free, committed to safety and the environment.



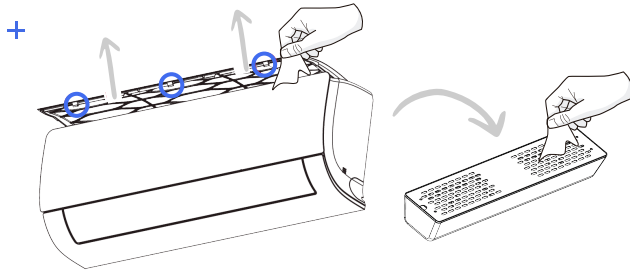
### Compact design and easy installation

Adapts to any environment.

# Installation

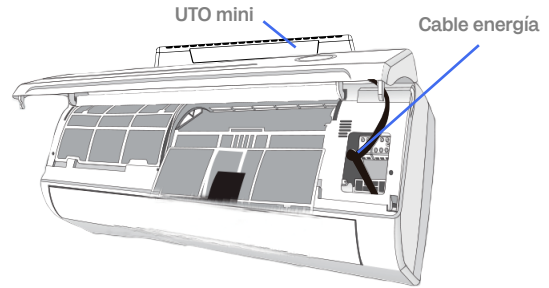
1

**Step 1.** Ensure that the top surface of the mini-split is clean and dry.



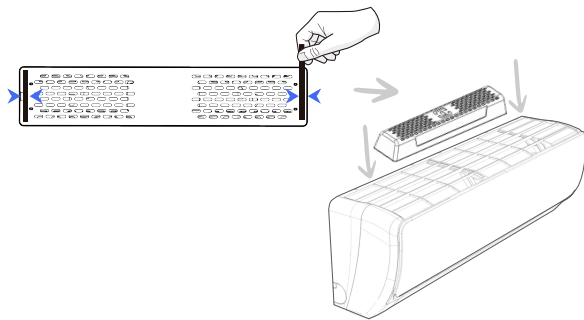
3

**Step 3.** Identify the electrical power cables of the mini-split.



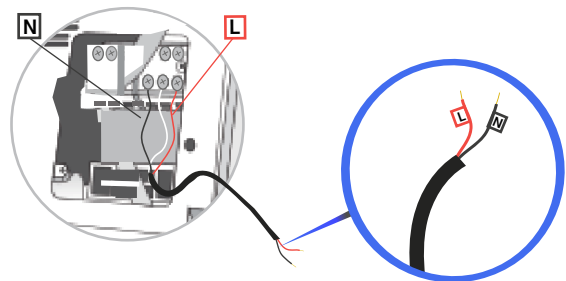
2

**Step 2.** Attach adhesive tapes to the top grille of the mini-split for a secure hold.



4

**Step 4.** Connect the electrical power cables of the mini-split.



**UTO** constantly monitors the presence of airflow. To ensure energy efficiency, it remains off when no airflow is detected.



# Configuration

Once turned on, a green light will activate for 10 minutes to facilitate WiFi connection setup.



## Purification area

enter the name of the area or place you are purifying.



## Lifespan notifications

check the boxes and enter the email where you want to receive notifications.



## WiFi credentials

select the WiFi network **UTO** will connect to and enter the network password.

Área de purificación:

ejemplo: Oficina 201

Notificaciones de vida útil

Indicador led UTO

Vía correo electrónico

ejemplo@utoair.com

Contraseña:

Enviar

Autorizo el tratamiento de datos

If you previously configured WiFi credentials but the device couldn't connect to the network, the portal will be reactivated to change credentials, while the led indicator remains a static green.

**Note:** : configuring the above fields is optional and does not affect **UTO's** operation, but it is recommended for receiving updates and notifications.



## Led lifespan indicator

**UTO** provides visual and email notifications from the first time it is turned on and annually until the end of its lifespan.



Connected to the WiFi network, **UTO** will automatically download and install updates to ensure continuous and efficient performance. During the update, the LED indicator will blink intermittently in turquoise blue.